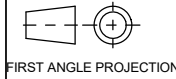


A2 INSTALLATION DRAWING

If this document is printed in hardcopy, it is for information use only and therefore is not subject to updating controls. Always refer to viewer for latest issue.



THIS DRAWING IS CONFIDENTIAL AND IS SUPPLIED ON THE EXPRESS CONDITION THAT IT SHALL NOT BE LOANED OR COPIED OR DISCLOSED TO ANY OTHER PERSON OR USED FOR ANY OTHER PURPOSE WITHOUT THE WRITTEN CONSENT OF AP RACING LTD.

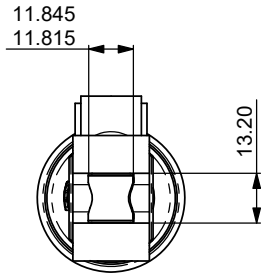


AP Racing
Wheler Road
Coventry
CV3 4LB

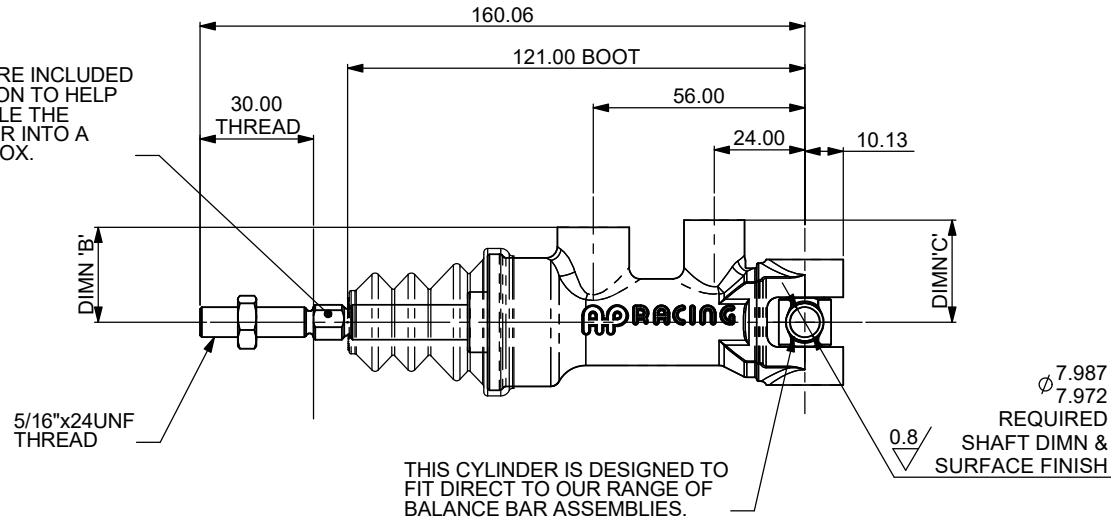
Tel: +44 024 7663 9595
Fax: +44 024 7663 9599
e-mail: sales@apracings.co.uk
Web site: http://www.apracings.com

© AP Racing Ltd. 2005

REPAIR KIT INFORMATION ON SHEET 2.



FLATS ARE INCLUDED ON PISTON TO HELP ASSEMBLE THE CYLINDER INTO A PEDAL BOX.



GENERAL DESCRIPTION

A HIGH EFFICIENCY SINGLE CIRCUIT STRUT TYPE MASTER CYLINDER, FEATURING A CLEVIS MOUNTING ENABLING IT TO FIT DIRECTLY TO AP RACING HIGH EFFICIENCY BALANCE BARS. SIZES RANGING FROM 14.0mm TO 7/8 inch WITH 30.0mm STROKE, AND 15/16 inch TO 1 inch WITH 28.0mm STROKE. ALSO INCLUDES A RUBBER BOOT TO PROTECT THE CYLINDER FROM DUST AND DEBRIS.

NOTE:

TO ACHIEVE THE BEST POSSIBLE PEDAL, IT IS IMPORTANT TO ENSURE ALL TRAPPED AIR IS REMOVED. CYLINDERS ARE SHIMMED DURING ASSEMBLY TO GIVE THE OPTIMUM CUT-OFF TRAVEL. AS A RESULT, PUSH RODS & SHIMS MUST NOT BE EXCHANGED BETWEEN CYLINDER REPLACEMENT. SEAL KITS ARE AS LISTED BELOW.

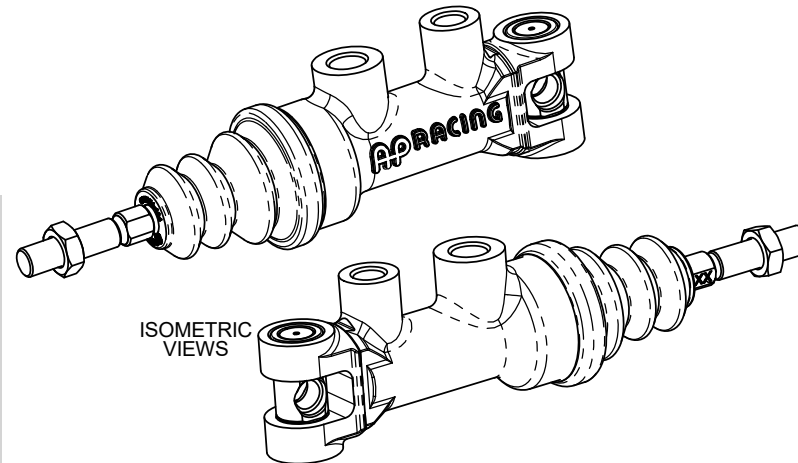
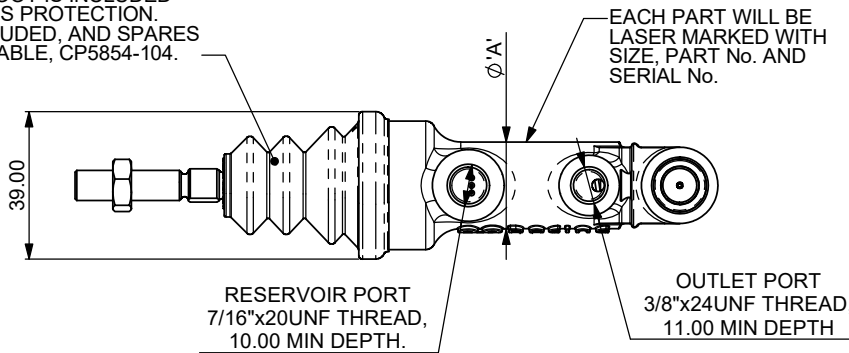
TECHNICAL DATA:

BODY MATERIAL -	ALUMINIUM ALLOY
TRAVEL TO CUT-OFF -	0.48 TO 0.63 (0.019" - 0.025")
HYDRAULIC THREADS -	INLET 7/16"x20UNF OUTLET 3/8"x24UNF
TYPICAL WEIGHT RANGE -	APPROX 190-220g DEPENDING ON BORE SIZE.

AVAILABLE SIZES

PART No.	BORE SIZE	STROKE	DIAM 'A'	DIMN 'B'	DIMN 'C'	REPAIR KIT
CP7854-88PRTE	14.0mm (0.55")	30.00	22.92	25.10	27.00	CP7855-88RK
CP7854-89PRTE	15.0mm (0.59")	30.00	22.92	25.10	27.00	CP7855-89RK
CP7854-90PRTE	15.8mm (5/8")	30.00	22.92	25.10	27.00	CP7855-90RK
CP7854-905PRTE	16.8mm (0.66")	30.00	22.92	25.10	27.00	CP7855-905RK
CP7854-91PRTE	17.8mm (0.70")	30.00	22.92	25.10	27.00	CP7855-91RK
CP7854-92PRTE	19.1mm (3/4")	30.00	22.92	25.10	27.00	CP7855-92RK
CP7854-93PRTE	20.6mm (13/16")	30.00	29.25	28.10	30.00	CP7855-93RK
CP7854-94PRTE	22.2mm (7/8")	30.00	29.25	28.10	30.00	CP7855-94RK
CP7854-95PRTE	23.8mm (15/16")	28.00	29.25	28.10	30.00	CP7855-95RK
CP7854-96PRTE	25.4mm (1")	28.00	29.25	28.10	30.00	CP7855-96RK

RUBBER BOOT IS INCLUDED FOR DEBRIS PROTECTION. BOOT INCLUDED, AND SPARES ARE AVAILABLE, CP5854-104.

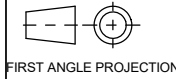


Issue No.	Alterations		Zone	Initials
	Date & No.	Particulars		
1	18/11/08 B5253	FIRST ISSUE	#	DRA
2	18/02/09 B5253	CHARTS FULLY POPULATED WITH PART NUMBERS	#	DRA
3	10/03/2011	DIMN 'B' & 'C' ADDED.	#	CDA
4	02/01/14 B6970	REPAIR KIT DETAILS UPDATED WITH D SECTION PISTON SEAL	SH2 SG	SAT
5	30/07/15 B7361	TYPICAL WEIGHT RANGE CORRECTED WAS 280-293g	C3	DW
6	24/02/21 B8272	CP5854-10 SENSOR KIT NOTE REMOVED		FL

SCALE 1:1	SHEET 1 OF 2
DRAWN D.ARROWSMITH	
APPROVED	
DERIVED FROM #	
TITLE TRUNNION MOUNTING PUSH TYPE MASTER CYLINDER	
DRG NO.	CP7854-1CD

A2 INSTALLATION DRAWING

If this document is printed in hardcopy, it is for information use only and therefore is not subject to updating controls. Always refer to viewer for latest issue.



THIS DRAWING IS CONFIDENTIAL AND IS SUPPLIED ON THE EXPRESS CONDITION THAT IT SHALL NOT BE LOANED OR COPIED OR DISCLOSED TO ANY OTHER PERSON OR USED FOR ANY OTHER PURPOSE WITHOUT THE WRITTEN CONSENT OF AP RACING LTD.



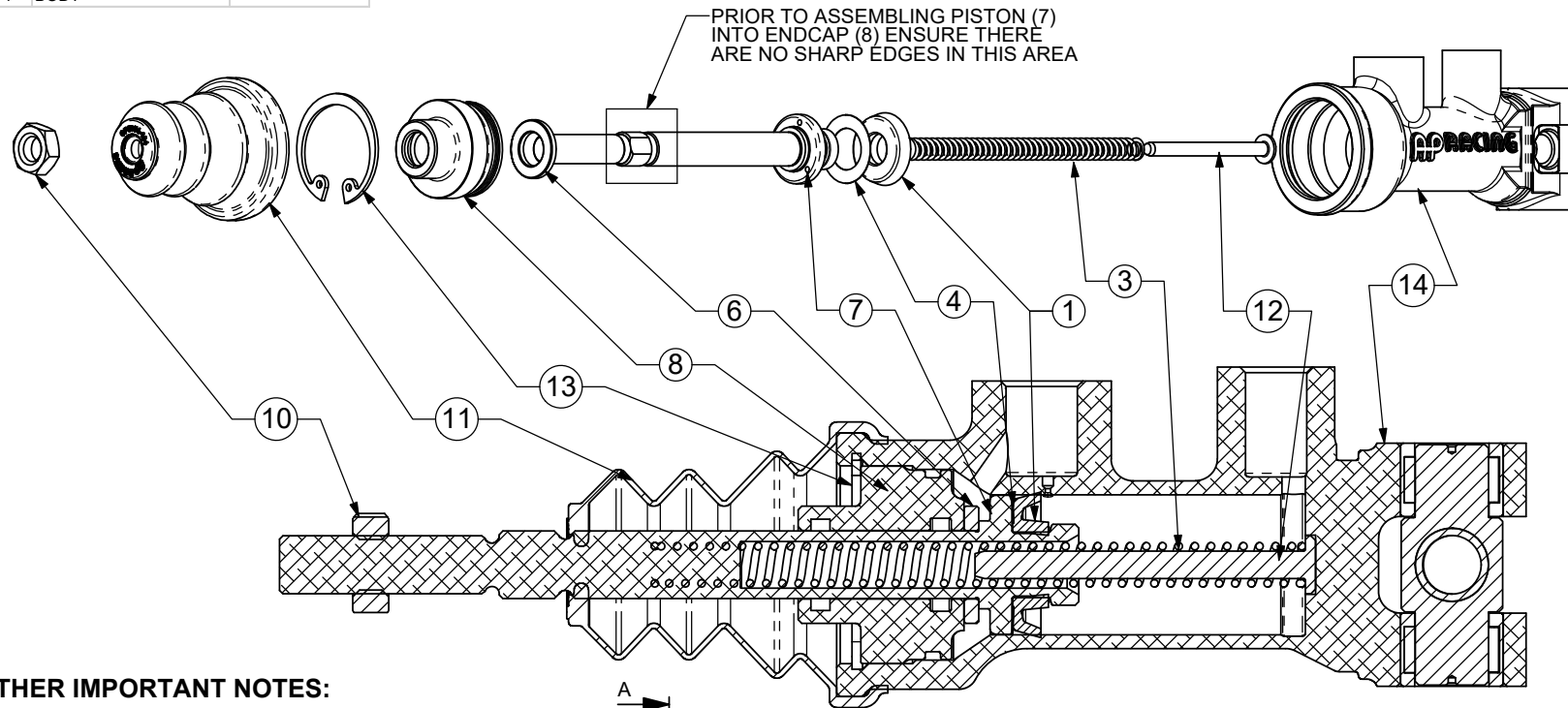
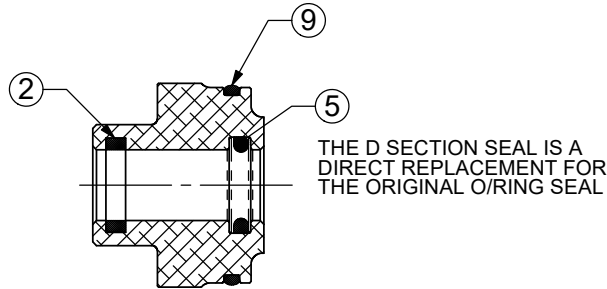
AP Racing
Wheler Road
Coventry
CV3 4LB

Tel: +44 024 7663 9595
Fax: +44 024 7663 9559
e-mail: sales@apracing.co.uk
Web site: http://www.apracing.com

© AP Racing Ltd. 2005

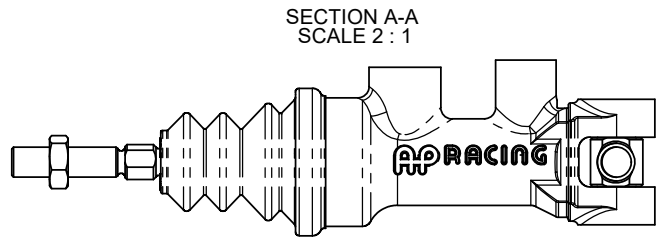
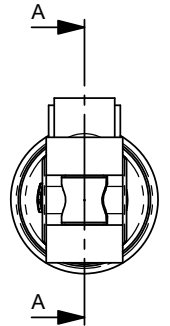
REF	DESCRIPTION	INCLUDED WITH REPAIR KIT
1	PRIMARY SEAL	Yes
2	SLYDRING BEARING	Yes
3	M/CYL RETURN SPRING	
4	PISTON WASHER	Yes
5	D-RING PISTON SEAL	Yes
6	CUT-OFF SHIM	
7	PISTON	
8	ENDCAP	
9	O-RING CAP SEAL	Yes
10	LOCK NUT 5/16"UNF	
11	BOOT	Yes
12	SPRING GUIDE PIN	
13	CIRCLIP	Yes
14	BODY	

MASTER CYLINDER PART NUMBER	REPAIR KIT
CP7854-88PRTE	CP7855-88RK
CP7854-89PRTE	CP7855-89RK
CP7854-90PRTE	CP7855-90RK
CP7854-905PRTE	CP7855-905RK
CP7854-91PRTE	CP7855-91RK
CP7854-92PRTE	CP7855-92RK
CP7854-93PRTE	CP7855-93RK
CP7854-94PRTE	CP7855-94RK
CP7854-95PRTE	CP7855-95RK
CP7854-96PRTE	CP7855-96RK



OTHER IMPORTANT NOTES:

- ENSURE BORE IS FREE FROM DEBRIS.
- LUBRICATE SEALS AND BORE WITH BRAKE FLUID PRIOR TO ASSEMBLY.
- CARE MUST BE TAKEN WHEN ASSEMBLING SEALS AS DAMAGE MAYBE CAUSED.
- THE CHANGING OF INTERNAL COMPONENTS OF THE MASTER CYLINDER IN RARE CASES, MAY ALTER THE DISTANCE TO CUT-OFF. IF YOU ARE UNABLE TO BLEED THE CYLINDER AFTER A SEAL CHANGE, PLEASE CONSULT AP RACING. ALSO ENSURE THAT ANY PARTS THAT HAVE BEEN DISASSEMBLED ARE KEPT WITH THE RIGHT CYLINDER AND ARE NOT MIXED.



Issue No.	Date & No.	Alterations Particulars	Zone	Initials

SCALE 1:1	SHEET 2 OF 2
DRAWN	D.ARROWSMITH
APPROVED	
DERIVED FROM	#
TITLE TRUNNION MOUNTING PUSH TYPE MASTER CYLINDER	
DRG NO.	CP7854-1CD